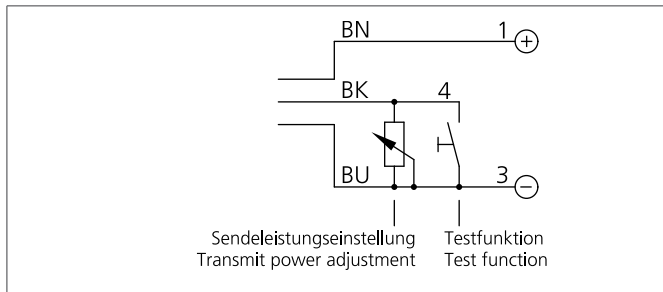
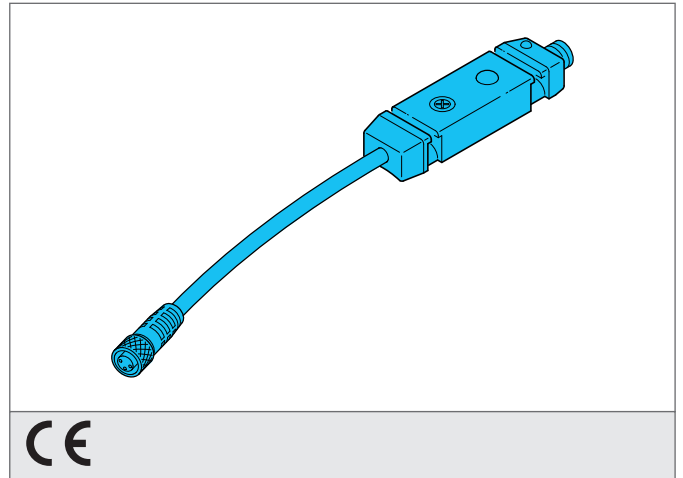


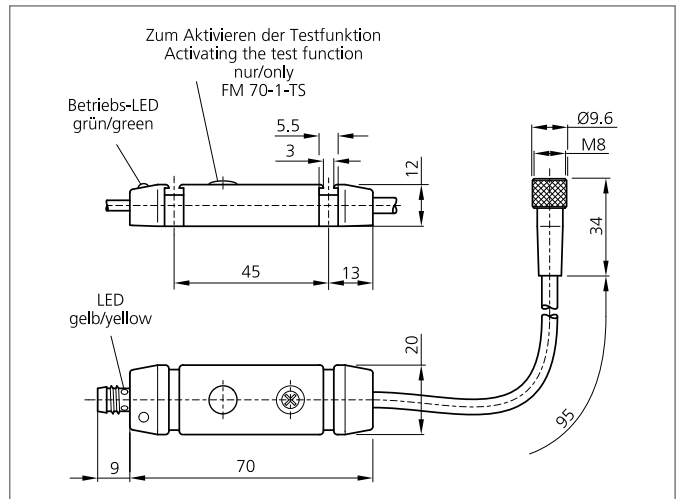
## FM 70-1-TS Functional Module

- Adjusting the transmit power
- Activating the test function
- 4-turn potentiometer
- Protection class IP 67



### Safety instructions

The Instruments are not to be used for safety applications, in particular applications in which safety of persons depends on proper operation of the instruments.  
These instruments shall exclusively be used by qualified personnel.



| TECHNICAL INFORMATION (typ.) | +20°C, 24V DC                    |
|------------------------------|----------------------------------|
| Operating principle          | Transmit power adjustment        |
| Maximum rating               | 200 mA                           |
| Service voltage              | 10 ... 35 V DC                   |
| Ambient temperature          | -20 ... +60 °C                   |
| Protection class             | IP 67                            |
| For                          | e                                |
| Casing material              | plastics (polycarbonate - PC)    |
| Connection                   | Coupling, Connector, M8, 3-poled |